

## REMOVAL OF POSSUMS

You should be aware that due to the protection of these animals, you are not permitted to trap and relocate these animals without a permit from Parks & Wildlife.

A special permit is required in the Northern Territory to remove them from your property and it is illegal and cruel to 'dump' them in another area where they will have little chance of survival.

For more information on relocation and rehabilitation contact Wildcare on 89 886 121 or 0412 910 975.



**Wildcare Inc** is a non-profit organisation, which provides a support network for carers of sick, injured and orphaned wildlife in the Northern Territory. The primary objective is to rehabilitate and release these animals back into their natural habitat and to raise community awareness concerning the care and conservation of native animals.

For more information on Wildcare Inc, or information provided in this fact sheet, contact Wildcare at P.O. Box 464, Palmerston, NT or phone 89 886 121 or go to [www.wildcarent.org.au](http://www.wildcarent.org.au).

- ❖ Wildcare Inc cannot be held liable for any information provided in this fact sheet.

**Proudly Sponsored by**



## LIVING WITH POSSUMS



We are extremely lucky to have such a diverse group of native birds, mammals and reptiles living in our backyards and surrounding areas. One common native animal you may find in your backyard is the Northern Brushtail Possum.



## POSSUM VISITS

Due to land clearing and removal of natural hollow trees and logs, these nocturnal marsupials are being forced into urban areas. Possums often consider the dark sheltered areas of roofs a suitable nesting site and can be heard moving as they leave the roof after dark and return before dawn. Some people find possum inhabitation a nuisance.

## PREVENTING POSSUMS

Wildcare recommends the following measures to help with your possum problems.

- Provide a nesting box in your backyard.
- Locate and block access and exit points when you are sure all possums are out of the roof. Block any gaps with suitable building materials. This is best done at night when the possum has left. Make a one way flap to allow the possums to leave the roof, but can not return. If you can't find where the possum is getting in try loose wads of waste paper placed into the suspected entry points during the day. At night the possum will push its way out, showing you the entry points. Once the entry points are blocked wipe them with house-

hold bleach to remove the possum scent.

Remove the possum's access to the roof by lopping any overhanging branches or putting metal collars on the trees.

**Do not hand feed any possums as this will attract more to your area.**

If you are unable to block the entry to your roof;

- Scatter moth balls, camphor blocks or naphthalene flakes inside the roof (do not mix these as this may cause a chemical reaction), possums do not like the smell.
- Place a light in the roof cavity for at least three consecutive nights to discourage the possum – being nocturnal, possums prefer dark areas to sleep in.



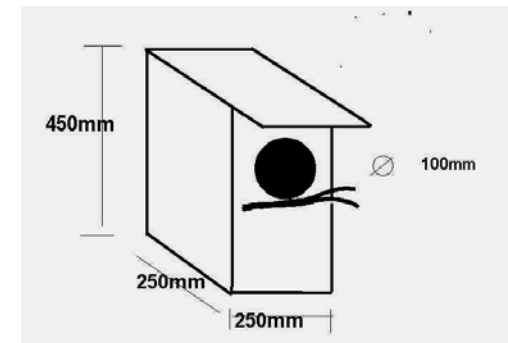
## ARTIFICIAL NESTING BOXES

Where nesting sites are not available, mammals and birds can use artificial nesting boxes.

Brushtail possums prefer a deep box. An entrance hole of 10-12cm is preferred and natural logs are better to use when building a box.

A lip over the entrance hole is beneficial as it will not allow excess rain or light in. Boxes should be placed between 4 to 8 metres above the ground with small holes drilled in the base to allow for drainage.

**Nesting boxes** can be made out



of most materials, but avoid treated timbers and timbers painted with lead based paints. With the Territory's high humidity and rainfall it is recommended that marine ply be used to make boxes.

Nestboxes can be purchased from Wildcare at a reasonable price.